

TECHNICAL SPECIFICATION **ASSEMBLY MANUAL**

Javelin rack on wheels

JR-18-W



I. General description and use

The javelin rack on wheels JR-18-W is designed for storing and transport of athletics javelins.

II. Technical specification

Code	Weight[kg]	Dimensions after assembly length/width/height [mm]	Material	Model	Capacity
JR-18-W	12,97	940/510/400	steel powder painted	on wheels	18 pcs

III. Packing and transport

The rack is delivered in parts, packed in a carton box.

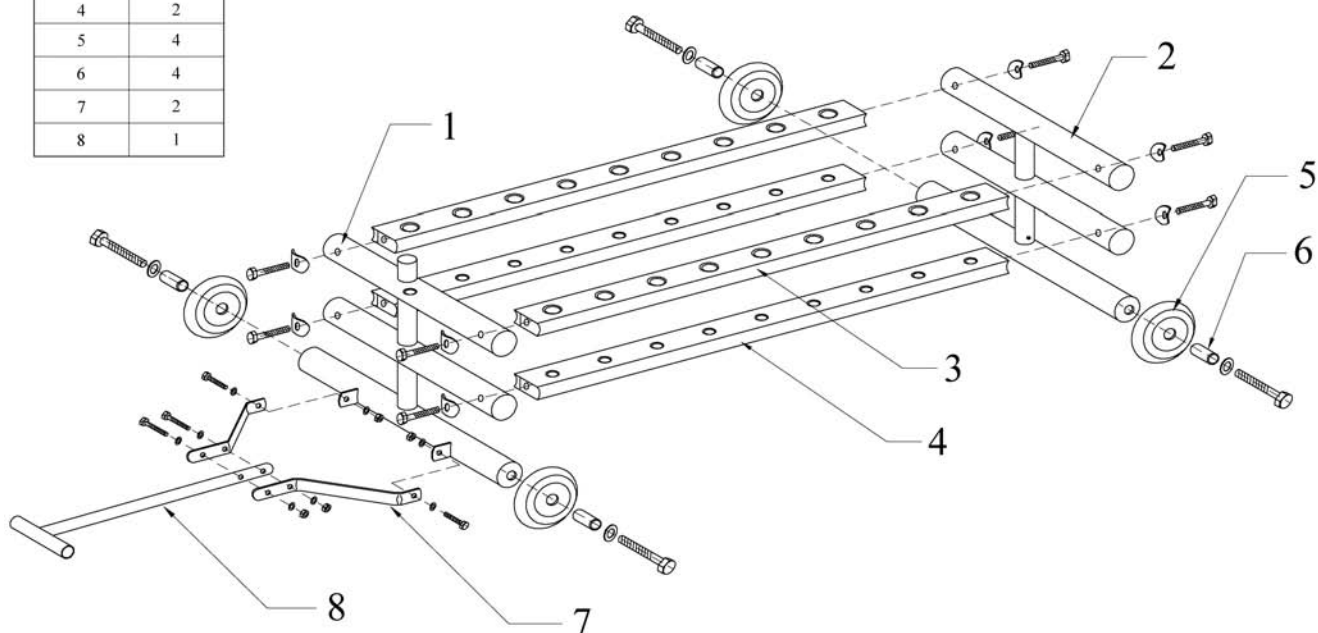
Box's dimensions [cm]	content	1 rack
	length	77
	weight	45
	height	10
Volume[m³]	0,035	
Grass weight[kg]	13,47	



IV. Assembly

The javelin rack's parts should be screwed in the way the picture below shows.

JR-18-W		M16x100	M8x65	M6x35	M6x20	M6	Ø16.5	Ø8	Ø6.5
Poz./Item	szt./pcs	4	8	2	2	4	4	8	8



V. Operation and maintenance

The rack should be stored in a roofed and dry place.

Even the best technical solutions cannot substitute for common sense. The usage of the product must take place under the supervision of sports facility technical staff. The producer shall not be liable for any incidents caused by the improper assembly or its misuse. The producer reserves the right to introduce without warning changes in product constructions and colours. © 2014

VI. Declaration

1) No. 2014-04-17

2) Issuer's name: POLANIK

Issuer's address: Życzliwa 11, 97-300 Piotrkow Tryb.

3) Declared items

No.	Name	Code
1	Javelin rack on wheels	JR-18-W

4) Technical specification described above is in accordance with the factory's internal engineering standard.

Additional information

5) The declaration was made for:

Purchaser and User

The declaration was signed on behalf and with authorization:

POLANIK

2014-04-17 Piotrkow Tryb.

(Date and place)

Paweł Ciechanowski

Product manager

6)

(Name, function)



(Signature or its equivalent authorized by the Exhibitor)